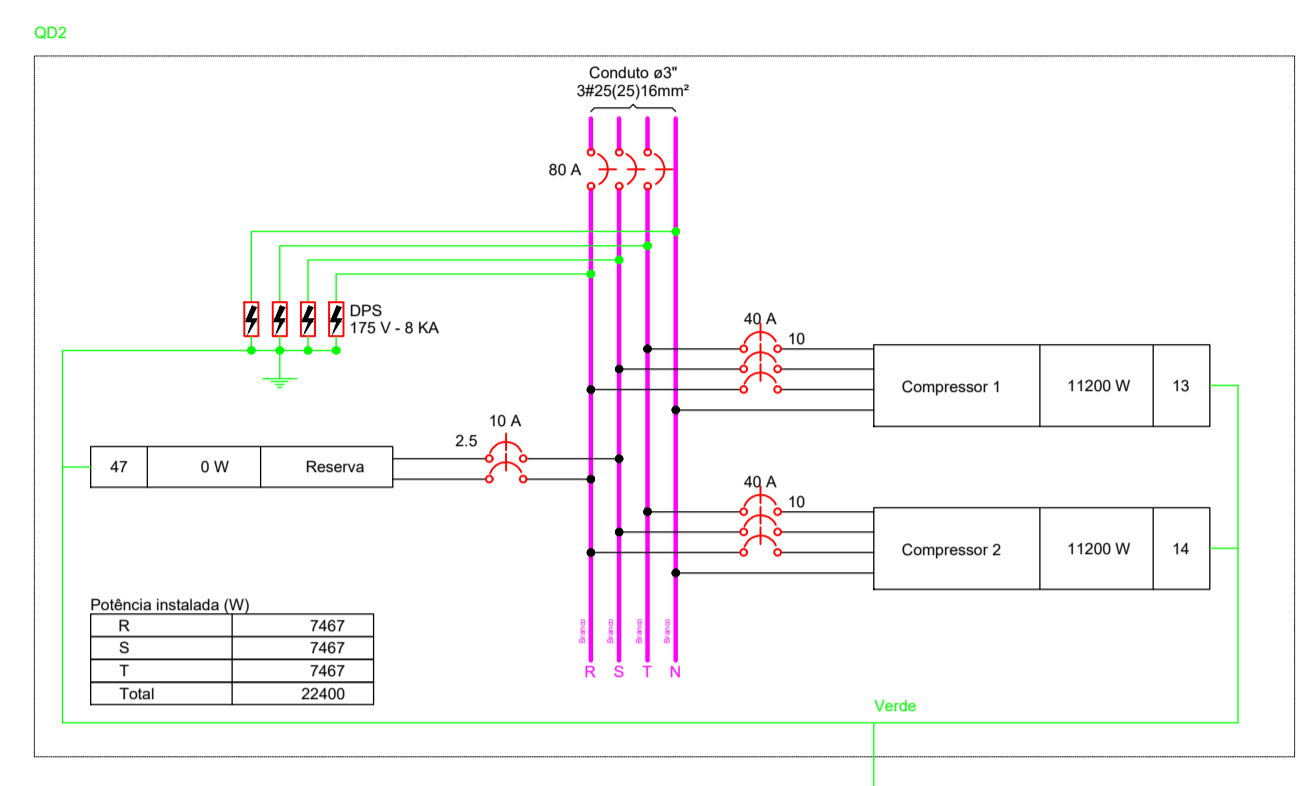
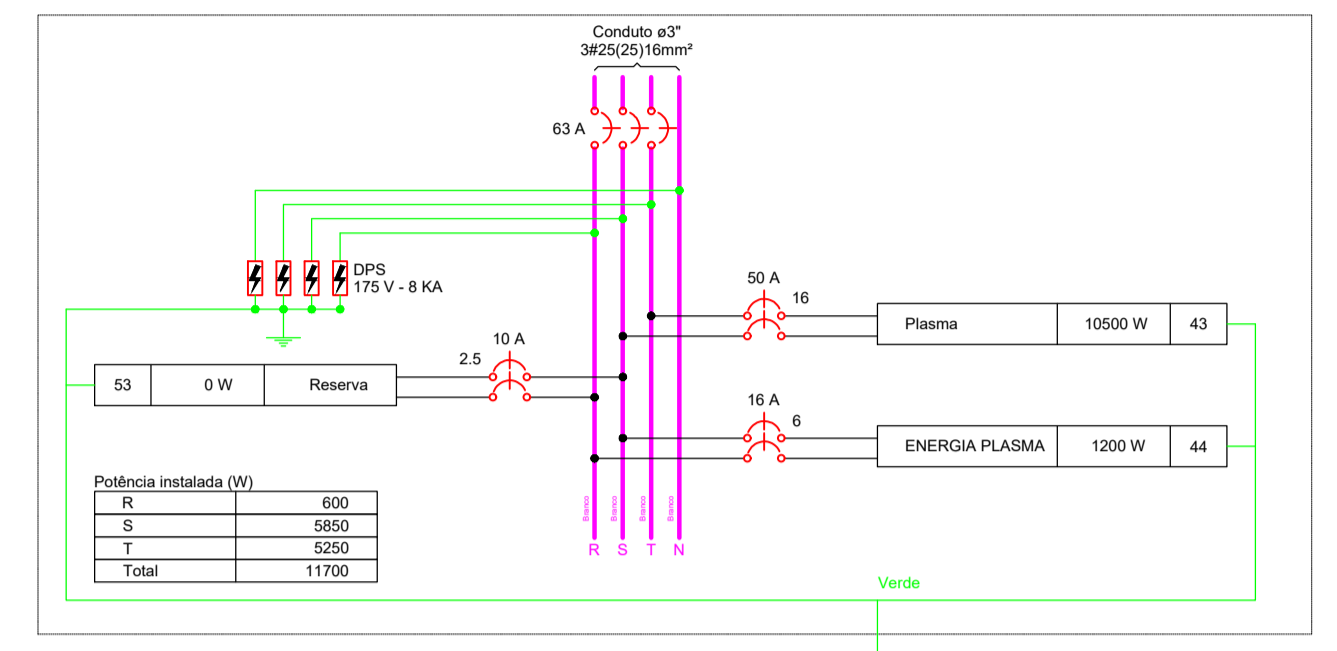
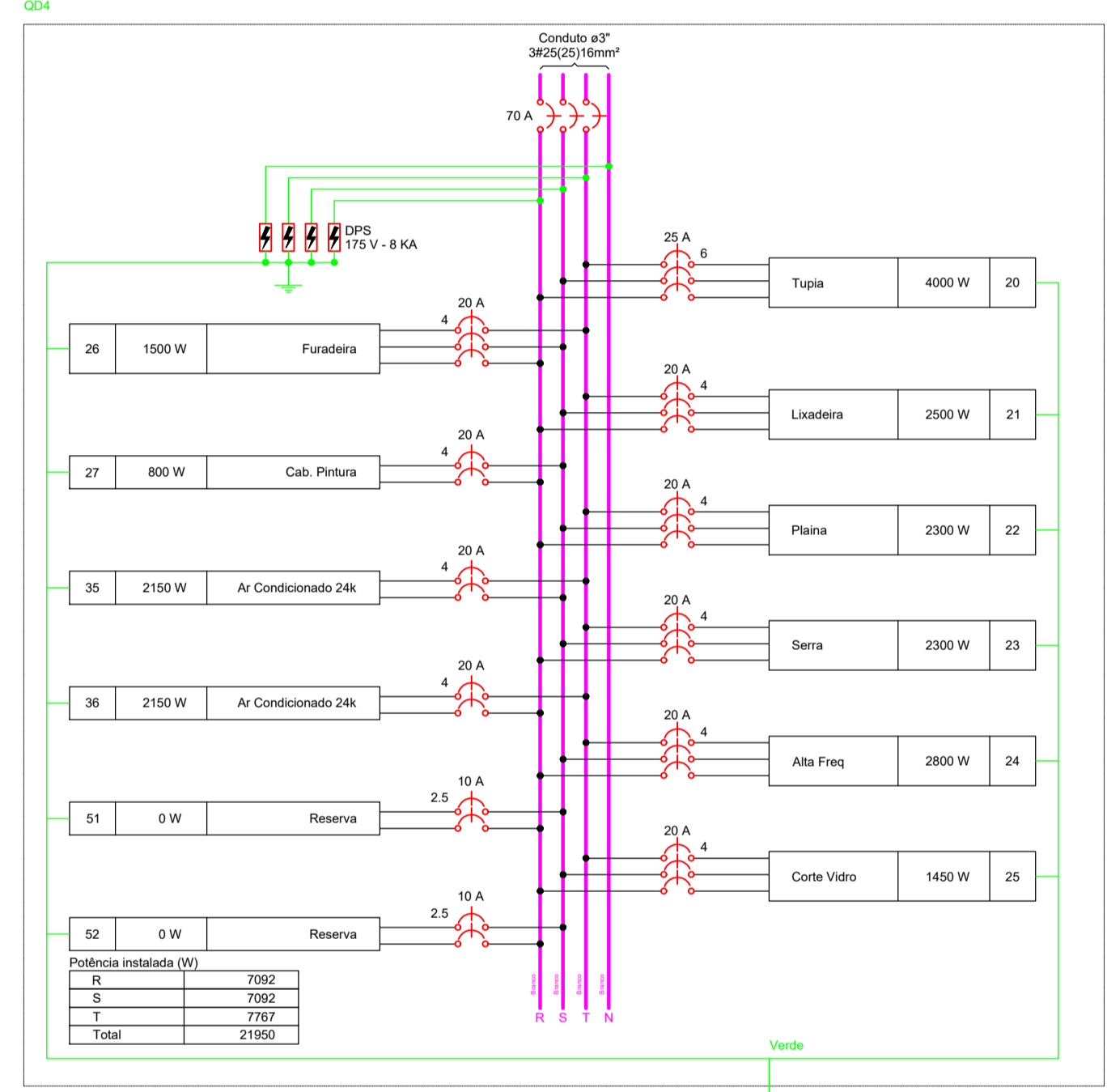


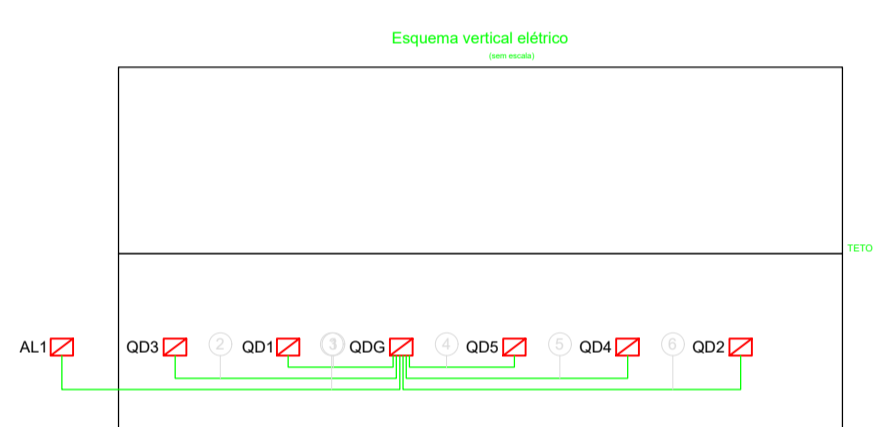
Quadro	Descrição	Esquema	Tensão (V)	Pot. total (W)	Pot. - R (W)	Pot. - S (W)	Pot. - T (W)	Demanda Total (VA)	Demanda - R (VA)	Demanda - S (VA)	Demanda - T (VA)	Seção (mm2)	Disj (A)	Conduto (A)
QD2		3F+N+T	220/127 V	22400	7467	7467	7467	27350	9117	9117	9117	25	30	83"
QD3		3F+N+T	220/127 V	26650	8308	9383	8958	26137	7967	9182	8968	25	80	83"
QD4		3F+N+T	220/127 V	21950	7092	7092	7767	21580	6922	6922	7736	25	70	83"
QD1		3F+N+T	220/127 V	15324	5250	5112	4962	16072	5584	5324	5164	16	50	83"
QDG		3F+N+T	220/127 V	98024	28717	34904	34404	95144	27917	33437	33790	185	300	83"
QD5		3F+N+T	220/127 V	11700	600	5850	5250	10980	240	5490	5250	25	63	83"



Circuito	Descrição	Esquema	Método de inst.	Tensão (V)	Tomadas (W)	Pot. total (VA)	Pot. total (W)	Fases	Pot. - R (W)	Pot. - S (W)	Pot. - T (W)	FCT	FCA	In' (A)	Ip (A)	Seção (mm2)	Ic (A)	Icc (A)	Disj (A)	dV parc (%)	dV total (%)	Status	
20	Tupia	3F+T	B1	220 V																			
21	Lixadeira	3F+T	B1	220 V																			
22	Plaina	3F+T	B1	220 V																			
23	Serra	3F+T	B1	220 V																			
24	Alta Freq	3F+T	B1	220 V																			
25	Corte Vidro	3F+T	B1	220 V	1																		
26	Furadeira	3F+T	B1	220 V	1																		
27	Cab. Pintura	F+F+T	B1	220 V	1																		
35	Ar Condicionado 24k	F+F+T	B1	220 V																			
36	Ar Condicionado 24k	F+F+T	B1	220 V																			
51	Reserva	F+F+T	B1	220 V																			
52	Reserva	F+F+T	B1	220 V																			
TOTAL					1	1	2	2	1	1	1			22428	21950	R+S+T	7092	7092	7767				



Tipo de carga	Potência instalada (kVA)	Fator de demanda (%)	Demanda (kVA)
Condicionador de ar tipo janela (Não residencial)	11.94	100.00	11.94
Iluminação e TUG's (Escolas e semelhantes)	12.00	100.00	12.00
	83.20	85.00	70.72
TOTAL			95.14



Circuito	Descrição	Esquema	Método de inst.	Tensão (V)	Tomadas (W)	Pot. total (VA)	Pot. total (W)	Fases	Pot. - R (W)	Pot. - S (W)	Pot. - T (W)	FCT	FCA	In' (A)	Ip (A)	Seção (mm2)	Ic (A)	Icc (A)	Disj (A)	dV parc (%)	dV total (%)	Status	
13	Compressor 1	3F+N+T	B1	220/127 V	1	15030	11200	R+S+T	3733	3733	3733	1.00	0.85	46.4	39.4	10	50.0	4.5	40	0.19	0.85	OK	
14	Compressor 2	3F+N+T	B1	220/127 V	1	15030	11200	R+S+T	3733	3733	3733	1.00	0.85	46.4	39.4	10	50.0	3	40	0.34	1.00	OK	
47	Reserva	F+F+T	B1	220 V				R+S	0	0	0	1.00	1.00	0.0	0.0	2.5	24.0	4.5	10	0.00	0.00	OK	
TOTAL					2	30059	22400	R+S+T	7467	7467	7467												

Circuito	Descrição	Esquema	Método de inst.	Tensão (V)	Iluminação (W)	Tomadas (W)	Pot. total (VA)	Pot. total (W)	Fases	Pot. - R (W)	Pot. - S (W)	Pot. - T (W)	FCT	FCA	In' (A)	Ip (A)	Seção (mm2)	Ic (A)	Icc (A)	Disj (A)	dV parc (%)	dV total (%)	Status
1	ILUMINAÇÃO	F+F+T	B1	220 V	40		720	720	S+T	360	360		1.00	0.70	4.7	3.3	2.5	24.0	3	10	0.34	0.67	OK
2	ILUMINAÇÃO	F+F+T	B1	220 V	78		1404	1404	S+T	702	702		1.00	0.50	12.8	6.4	2.5	24.0	3	10	2.11	2.43	OK
3	TOMADAS 220V	F+F+T	B1	220 V				900	R+T	450		450	1.00	0.70	6.5	4.5	2.5	24.0	3	10	0.41	0.73	OK
4	TOMADAS 220V	F+F+T	B1	220 V				900	R+T	450		450	1.00	0.70	7.5	5.2	2.5	24.0	3	10	0.49	0.82	OK
5	TOMADAS 127V	F+N+T	B1	127 V				667	R	667	600		1.00	0.70	7.5	5.2	2.5	24.0	3	10	1.04	1.36	OK
6	TOMADAS 127V	F+N+T	B1	127 V				667	R	667	600		1.00	0.70	7.5	5.2	2.5	24.0	3	10	1.39	1.72	OK
7	TOMADAS 127V	F+N+T	B1	127 V				667	R	667	600		1.00	0.70	7.5	5.2	2.5	24.0	3	10	0.57	0.89	OK
8	TOMADAS 220V	F+F+T	B1	220 V				900	S+T	450	450		1.00	0.70	6.5	4.5	2.5	24.0	3	10	0.42	0.75	OK
9	TOMADAS 220V	F+F+T	B1	220 V				667	S+T	300	300		1.00	0.70	4.3	3.0	2.5	24.0	3	10	0.14	0.46	OK
10	TOMADAS 220V	F+F+T	B1	220 V				1333	S+T	600	600		1.00	0.50	12.1	6.1	2.5	24.0	3	10	1.75	2.07	OK
11	TOMADAS 220V	F+F+T	B1	220 V				1333	S+T	600	600		1.00	0.50	12.1	6.1	2.5	24.0	3	10	1.95	2.27	OK
12	TOMADAS 220V	F+F+T	B1	220 V				1333	S+T	600	600		1.00	0.70	8.7	6.1	2.5	24.0	3	10	1.60	1.93	OK
28	TOMADAS 127V	F+N+T	B1	127 V				667	R	600	600		1.00	0.50	10.5	5.2	2.5	24.0	3	10	2.78	3.10	OK
29	TOMADAS 127V	F+N+T	B1	127 V				667	R	600	600		1.00	0.50	10.5	5.2	2.5	24.0	3	10	2.94	3.26	OK
30	TOMADAS 127V	F+N+T	B1	127 V				1333	S		1200		1.00	0.50	21.0	10.5	4	32.0	3	16	3.69	4.01	OK
31	TOMADAS 127V	F+N	B1	127 V				0	R		0		1.00	1.00	0.0	0.0	2.5	24.0	4.5	10	0.00	0.32	OK
40	TOMADAS 127V SUPERIOR	F+N+T	B1	127 V				667	R	600	600		1.00	0.50	10.5	5.2	2.5	24.0	3	10	4.00	4.33	OK
41	TOMADAS 220V SUPERIOR	F+F+T	B1	220 V				667	R+S	300	300		1.00	0.50	6.1	3.0	2.5	24.0	3	10	1.46	1.78	OK
42	TOMADAS 220V SUPERIOR	F+F+T	B1	220 V				1000	R+T	450	450		1.00	0.50	9.1	4.5	2.5	24.0	3	10	2.09	2.41	OK
45	Reserva	F+F+T	B1	220 V				0	R+S	0	0		1.00	1.00	0.0	0.0	2.5	24.0	4.5	10	0.00	0.00	OK
46	Reserva	F+F+T	B1	220 V				0	R+S	0	0		1.00	1.00	0.0	0.0	2.5	24.0	4.5	10	0.00	0.00	OK
48	Reserva	F+F+T	B1	220 V				0	R+S	0	0		1.00	1.00	0.0	0.0	2.5	24.0	4.5	10	0.00	0.00	OK
TOTAL					118	132	16791	16324	R+S+T	5250	5112	4962											

Circuito	Descrição	Esquema	Método de inst.	Tensão (V)	Tomadas (W)	Pot. total (VA)	Pot. total (W)	Fases	Pot. - R (W)	Pot. - S (W)	Pot. - T (W)	FCT	FCA	In' (A)	Ip (A)	Seção (mm2)	Ic (A)	Icc (A)	Disj (A)	dV parc (%)	dV total (%)	Status			
15	Jl. de Area	3F+T	B1	220 V					2300	2300	R+S+T	767	767	767	1.00	0.70	8.6	6.0	4	28.0	6	16	0.17	0.69	OK
16	Torno	3F+T	B1	220 V					2000	2000	R+S+T	667	667	667	1.00	0.70	7.5	5.2	4	28.0	10	16	0.22	0.73	OK
17	Serra	3F+T	B1	220 V					2300	2300	R+S+T	767	767	767	1.00	0.70	8.6	6.0	4	28.0	10	16	0.30	0.82	OK
18	Plaina	3F+T	B1	220 V					2300	2300	R+S+T	767	767	767	1.00	0.70	8.6	6.0	4	28.0	10	16	0.33	0.85	OK
19	Laser	3F+T	B1	220 V					5500	5500	R+S+T	1833	1833	1833	1.00	0.70	20.6	14.4	6	36.0	6	25	0.77	1.28	OK
32	Ar Condicionado 24k	F+F+T	B1	220 V					2389	2150	S+T	1075	1075	1075	1.00	0.70	15.5	10.9	4	32.0	25	20	0.20	0.71	OK
33	Ar Condicionado 24k	F+F+T	B1	220 V					2389	2150	R+T	1075	1075	1075	1.00	0.70	15.5	10.9	4	32.0	10	20	0.34	0.86	OK
34	Ar Condicionado 24k	F+F+T	B1	220 V					2389	2150	S+T	1075	1075	1075	1.00	0.70	15.5	10.9	4	32.0	10	20	0.50	1.01	OK
37	Router	3F+T	B1	220 V					2800	2800	R+S+T	933	933	933	1.00	1.00	7.3	7.3	4	28.0	10	20	0.03	0.54	OK
38	Climatizador 1	F+F+T	B1	220 V					1500	1500	R+S	750	750		1.00	0.70	9.7	6.8	4	32.0	25	20	0.52	1.04	OK
39	Climatizador 2	F+F+T	B1	220 V					1500	1500	R+S	750	750		1.00	0.50	13.6	6.8	4	32.0	4	16	1.41	1.93	OK
49	Reserva	F+F+T	B1	220 V					0	0	0</														